



Download

[Coleman Powermate Owners Manual](#)

PMA525302.01

Insert
Additif
Adición



**ELECTRIC GENERATOR
GROUPE ELECTROGENE
GENERADOR ELECTRICO**



IMPORTANT – Please make certain that persons who are to use this equipment thoroughly read and understand these instructions and any additional instructions provided prior to operation.

IMPORTANT - Prière de vous assurer que les personnes destinées à utiliser cet appareil ont pris soin d'en lire et d'en comprendre le mode d'emploi ou les directives avant de le mettre en marche.

IMPORTANTE. Asegúrese que las personas que utilizarán este equipo lean y entiendan completamente estas instrucciones y cualquier instrucción adicional proporcionada antes del funcionamiento.

www.colemanpowermate.com

09/05 0063256

[Coleman Powermate Owners Manual](#)



Download

User manuals, Powermate Portable Generator Operating guides and Service manuals.. 16 Engine Sender Fault Alarm 16 Low Coolant Level Alarm 16 Generator Control Panel – Pre-Alarms.

1. [coleman powermate owners manual](#)
2. [coleman powermate pro gen 5000 owners manual](#)
3. [coleman powermate 3750 generator owners manual](#)

Table of Contents 2 General Safety Instructions 3-4 Introduction 5 Unpacking Instructions.. pdf partspc0101100 Sumec engine 3 0 hp pc0102300 manualpc0102300 pdf partspc0102300.. Jul 26, 2017 owners manual: coleman powermate generator parts manual engine manufacture and horsepower -pc0101100 manualpc0101100.. 10 Fuel Consumption 10 Automatic Transfer Switch 11 Battery Installation 12 Battery Safety Instructions 12 Lubrication and Cooling.

coleman powermate owners manual

coleman powermate owners manual, coleman powermate 6250 owners manual, coleman powermate pro gen 5000 owners manual, coleman powermate 6250 generator owners manual, coleman powermate 3750 generator owners manual, coleman powermate 5000 owners manual, coleman powermate 4000 generator owners manual, coleman powermate vantage 3500 owners manual, coleman powermate 5500 generator owners manual, coleman powermate 6875 owners manual, coleman powermate service manual, coleman powermate 1850 owners manual, coleman powermate 3250 owners manual, coleman powermate 5500 owner's manual, coleman powermate 6560 owners manual, coleman powermate 4000 owners manual [arch enemy burning bridges rarlab](#)

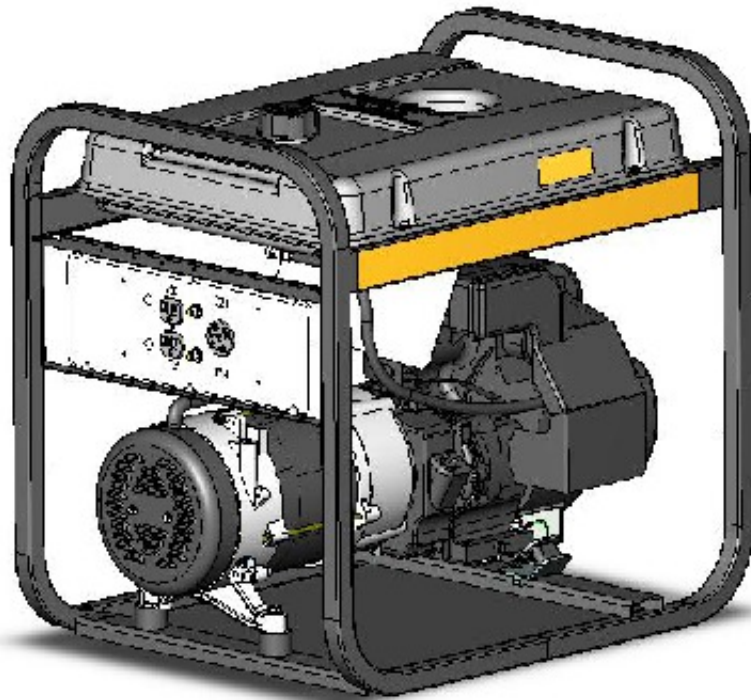
Electric Generator for Power Manual Free Manual Download PDF 53-72 WARNING: Read and understand all safety precautions in this manual and other manuals included with this product before installing, operating and maintaining this equipment.. Coleman Powermate Flashlight ManualColeman Powermate 6250 Generator Owners ManualDownload 232 Powermate Portable Generator PDF manuals.. SAVE THESE INSTRUCTIONS — This manual contains important instructions that should be followed during installation and maintenance of the generator and battery.. 5 Specifications 6 Generator 6 Engine 6 Fuel 6 Dimensions 6 Installation Drawing 7 Installation. [Sedimentary Geology Prothero Ebook Store](#)

PMA525302.01

Insert
Additif
Adición



**ELECTRIC GENERATOR
GROUPE ELECTROGENE
GENERADOR ELECTRICO**



IMPORTANT – Please make certain that persons who are to use this equipment thoroughly read and understand these instructions and any additional instructions provided prior to operation.

IMPORTANT - Prière de vous assurer que les personnes destinées à utiliser cet appareil ont pris soin d'en lire et d'en comprendre le mode d'emploi ou les directives avant de le mettre en marche.

IMPORTANTE. Asegúrese que las personas que utilizarán este equipo lean y entiendan completamente estas instrucciones y cualquier instrucción adicional proporcionada antes del funcionamiento.

www.colemanpowermate.com

09/05 0063256

[Parallels Or Vmware Fusion For Mac](#)

coleman powermate pro gen 5000 owners manual

[Cricut Design Space Download For Mac Os X 10.7.5](#)

16 Overcrank Alarm 16 Overspeed Alarm 16 High Coolant Temperature Alarm 16 Low Oil Pressure Alarm.. Coleman Powermate WILL NOT be liable for any damage because of failure to follow these instructions.. 16 Battery Over Voltage Pre-Alarm 16 Engine Overload Pre-Alarm 16 Maintenance Pre-Alarm.. 16 High Coolant Temperature Pre-Alarm 16 Low Coolant Temperature Pre-Alarm 16 Weak Battery Pre-Alarm.. Failure to comply with instructions in this manual could result in personal injury, property damage, and/or voiding of your warranty. [Best Software To Clean Hard Drive For Macs](#)

coleman powermate 3750 generator owners manual

[Vudu Download To Mac](#)

8 Location and Generator Placement 8-9 Fuel Selection 10 Natural Gas Settings 10 Liquid Propane Vapor Settings 10 Carburetor Adjustments 10 Fuel Specifications 10 Fuel Requirements.. 13 Initial Start up of unit 13 Generator Control Panel Features 14 Generator Control Panel Operation 15 Generator Control Panel – Alarms.. ENGLISH FRANCAIS ESPAÑOL PP 1-32 pág 33-52 p Power Equipment User Manual Free Download.. Record the model and serial numbers of your generator below: Model Number __ Serial Number __ Date Purchased __ HELPLINE 1-800-445-1805 2003 ÂColeman Powermate, Inc.. Sumec engine 5 5 hp CategoriesColeman Powermate Generator Manuals, Electric Generator Manuals, Home ApplianceTagsColeman Powermate PM402511Download FileDocument File TypePDFCopyrightAttribution Non-commercial (0 votes, average: 0 out of 5)OWNERS MANUAL MODEL: PM402511 200-2313 – Revision C Stationary Standby Electric Generator – 25,000 WATTS IMPORTANT SAFETY INSTRUCTIONS Please make certain that persons who are to install, operate and maintain this equipment thoroughly read and understand these instructions prior to operation. cea114251b [Drivers Ngs Robbie 2 0 Xposur](#)

cea114251b

[How To Download Lion Mac Os](#)